

SANICONDENS® Best



Product Ref: 1082/2

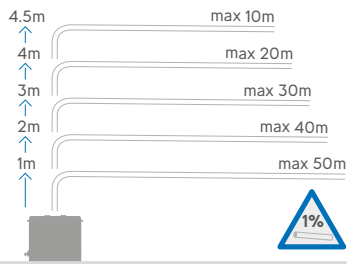
The Sanicondens® Best is specifically designed for disposal of acidic concentrate from boilers and other water producing equipment such as air conditioning units, refrigeration units and dehumidifiers etc. Incorporates a pH neutralising granule tray and includes a non-return valve and 6m flexible discharge pipe.



Why choose this product?

- Designed to dispose of acidic condensate
- 2 litre tank
- Integrated pH neutralising granule tray
- Four entry points
- Working temperature of 35°C.
Will handle temperatures up to 80°C for short periods and a minimum pH of 2.5

Vertical/horizontal performance

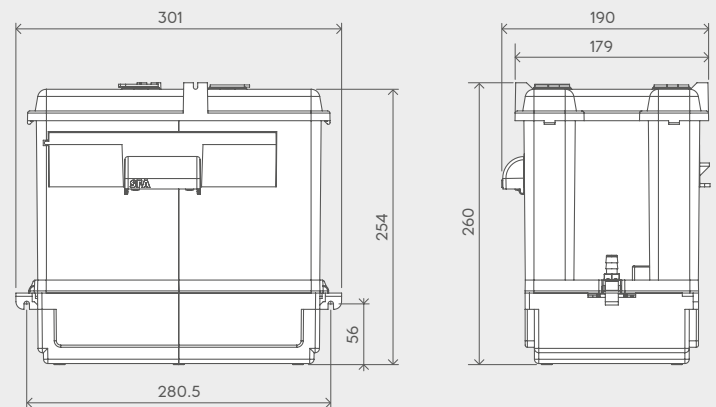
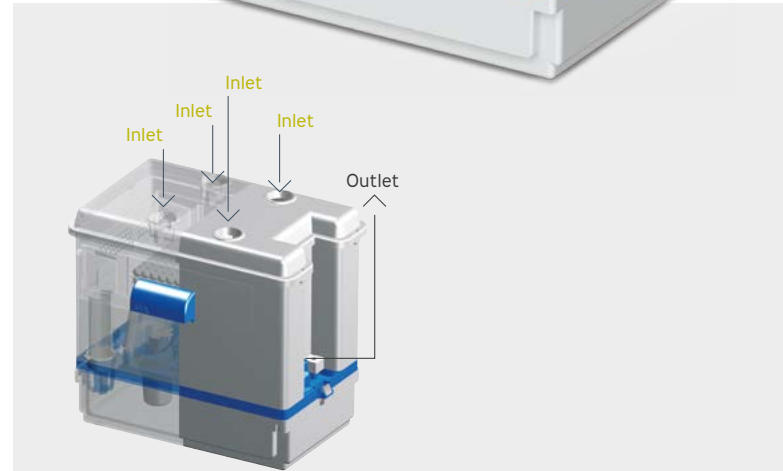


Sanicondens Best

The tank of the Sanicondens Best has a float which controls the pump. When the condensate gathers in the tank the pump is activated. The product has its own neutralization tray to adjust the pH of the acidic water from the condensing boiler. Sanicondens Best is also fitted with a second float that can control an alarm.

Accessories supplied with the product:

Non-return valve, wall fixing kit, 2 inlet adaptors, connection for an alarm, 2 metres of electric cable, 6 metres of drainage pipe.



Discharge Pipework

8mm

Motor Power

60 Watts

Flow Rate

342L/h

Voltages

220-240 V/50 Hz

Tank Volume

2L

Working Waste Water Temp

35°C/Max 80°C (intermittent)

Product Weight

2.6kg

Inlet Pipework

28mm

IP Rating

IP20

Discharge height (m)

