

RESILIENT SEAT GATE VALVE WITH SQUARE

VOC 4241C-051EP



APPLICATION

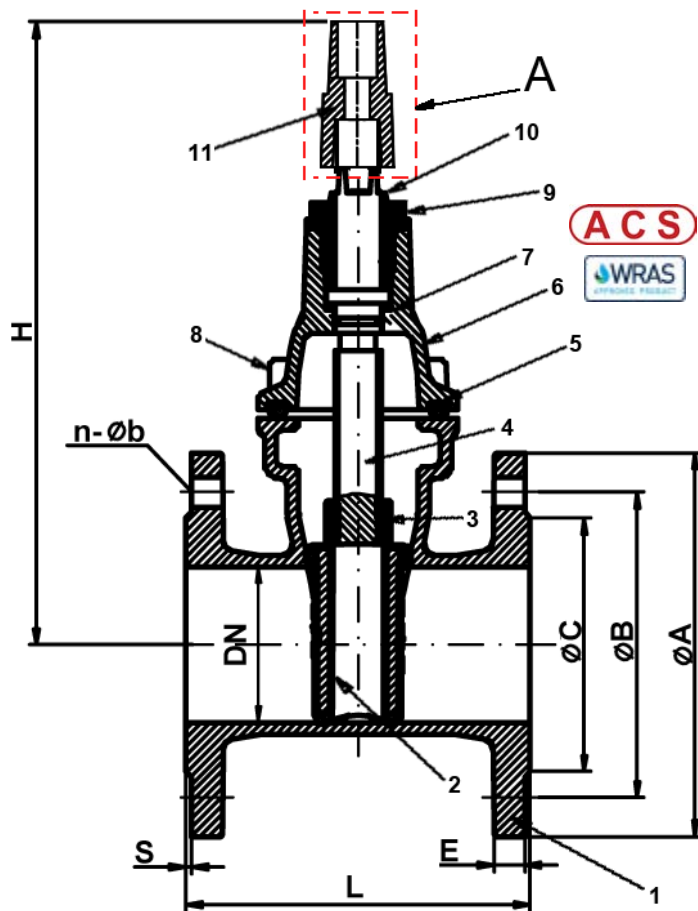
General use : Water supply, fire protection, irrigation, water treatment.

GENERAL CHARACTERISTICS

Range : from DN40 to DN400.
Non rising stem.
Clockwise to close.
No zone of retention.
Low head losses.

CONSTRUCTION

11	1	Square		
10	1	Dust-proof sealing ring	NBR	
9	1	Nut	Brass	
8	1	Bolt	Carbon steel	
7	2	O ring	EPDM	
6	1	Bonnet	Ductile iron	DIN: GGG 50 ASTM: A536 65-45-12 BS: 1563 EN-JS1050
5	1	Sealing gasket	EPDM	
4	1	Stem	Stainless steel 420	
3	1	Stem nut	Brass	
2	1	Wedge	EPDM coated ductile iron	DIN: GGG 50 ASTM: A536 65-45-12 BS: 1563 EN-JS1050
1	1	Body	Ductile iron	DIN: GGG 50 ASTM: A536 65-45-12 BS: 1563 EN-JS1050
Pos.	Q-ty	Description	Material	



DIMENSIONS

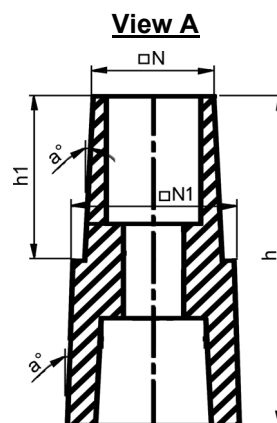
DN		L	H	ØD	Ød	K	M	h	T	ØA	ØB		ØC	E	S	n-Øb		Weight (kg)
mm	inch										PN10	PN16				PN10	PN16	
40	2"1/2	140	254	180	20	14,3	8	20	29	150	110	180	84	16	3	4 x Ø19	10	
50	2"	150	264	180	20	14,3	8	20	29	165	125	99	16	3	4 x Ø19	10,6		
60/65	2"1/4 / 2"1/2	170	299	200	24	17,3	10	20	33	185	135/145	118	16	3	4 x Ø19	12,5		
80	3"	180	324	200	24	17,3	10	20	33	200	160	132	16	3	8 x Ø19	13,8		
100	4"	190	369	250	28	19,3	10	20	38	220	180	156	16	3	8 x Ø19	18		
125	5"	200	414	250	28	19,3	10	20	38	250	210	184	16	3	8 x Ø19	22		
150	6"	210	449	300	28	19,3	10	20	38	285	240	211	16	3	8 x Ø23	31,9		
200	8"	230	544	300	30	24,3	10	20	42	340	295	266	17	3	8 x Ø23 / 12 x Ø23	54,5		
250	10"	250	634	350	36	27,3	12	25	47	400	350 / 355	319	19	3	12 x Ø23 / 12 x Ø28	75,5		
300	12"	270	724	350	36	27,3	12	25	47	455	400 / 410	370	20,5	4	12 x Ø23 / 12 x Ø28	110		
350	14"	290	824	400	38	27,3	12	25	47	521	460 / 470	429	22,5	4	16 x Ø23 / 16 x Ø28	158		
400	16"	310	889	400	38	27,3	12	25	47	580	515 / 525	480	24	4	16 x Ø28 / 16 x Ø31	201		

WORKING CONDITIONS

Maximum working pressure : 16 bar.
Maximum working temperature: +80°C

STANDARDS

Face to face according to DIN 3352/ F4 and DIN Short pattern.
Connection according to standard EN 1092-2 ISO PN10 and ISO PN16.
Certificat of health conformity n° 16 ACC LY 039.
WRAS certificate n° 1606373



DN		N	N1	h	h1
mm	inch				
40-150	2"1/2 - 6"	26 x 26	-	44	35
200-400	8" - 16"	28,3 x 28,3	41,3 x 41,3	60	30